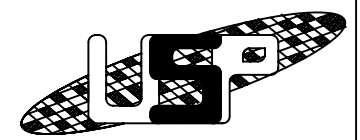
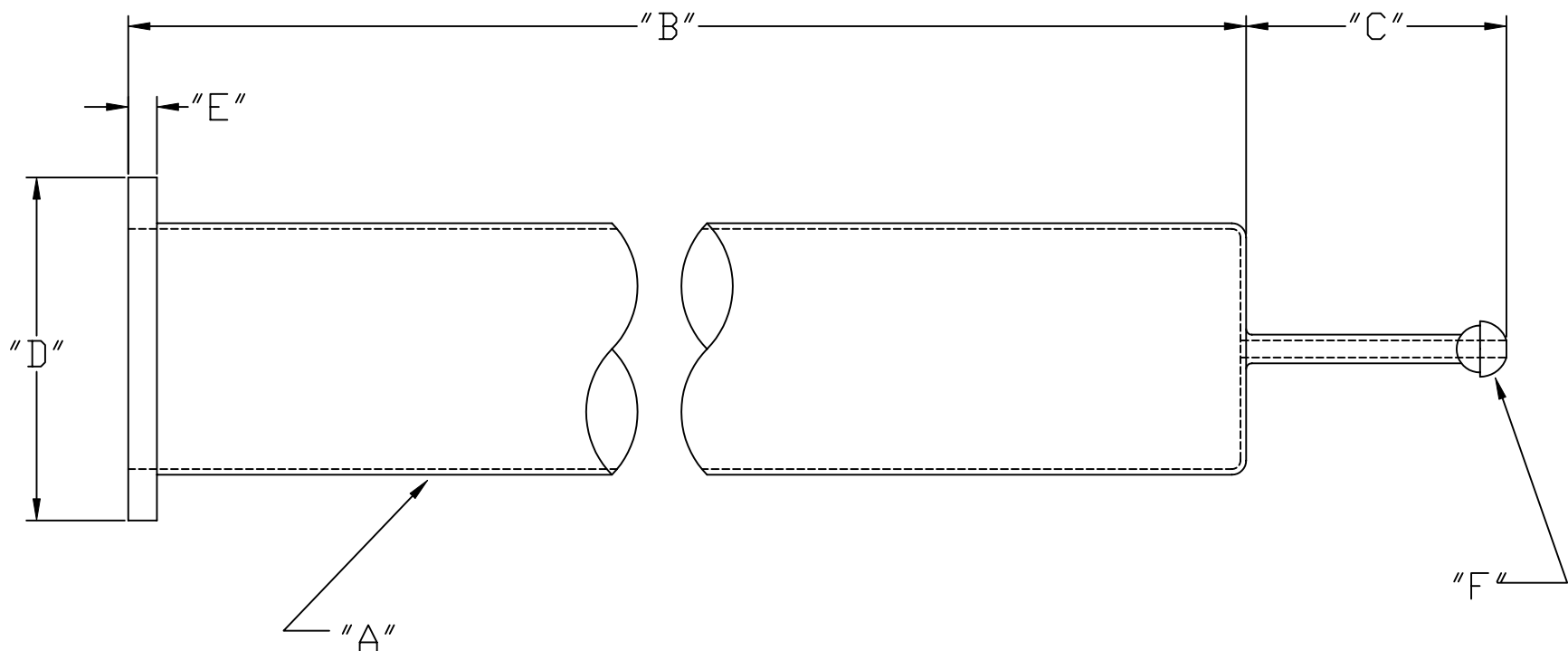


QUARTZ TUBES

Below is a series of quartz tube configurations that may suit your needs. Simply print the desired drawing and fill in the dimensions that meet your requirements, then fax or email it to us for review and quote. Remember, this is just a small sample of the products that that we can fabricate. Call and discuss your specific requirements with our engineering department.

<u>PAGE</u>	<u>DESCRIPTION</u>
2	PROCESS TUBE W/ FLANGE AND SINGLE PORT
3	DOUBLE FLANGE TUBE
4	FURNACE LINER TUBE
5	PROCESS TUBE W/ TAPERED JOINT
6	STANDARD PROCESS TUBE W/ 1 JOINT
7	STANDARD PROCESS TUBE W/ 2 JOINTS
8	PROCESS TUBE W/ FLANGE AND 2 PORTS
9	END CAP W/TAPER
10	END CAP - NO JOINT

REVISIONS				
ZONE	REV.	DESCRIPTION	APPROVED	DATE



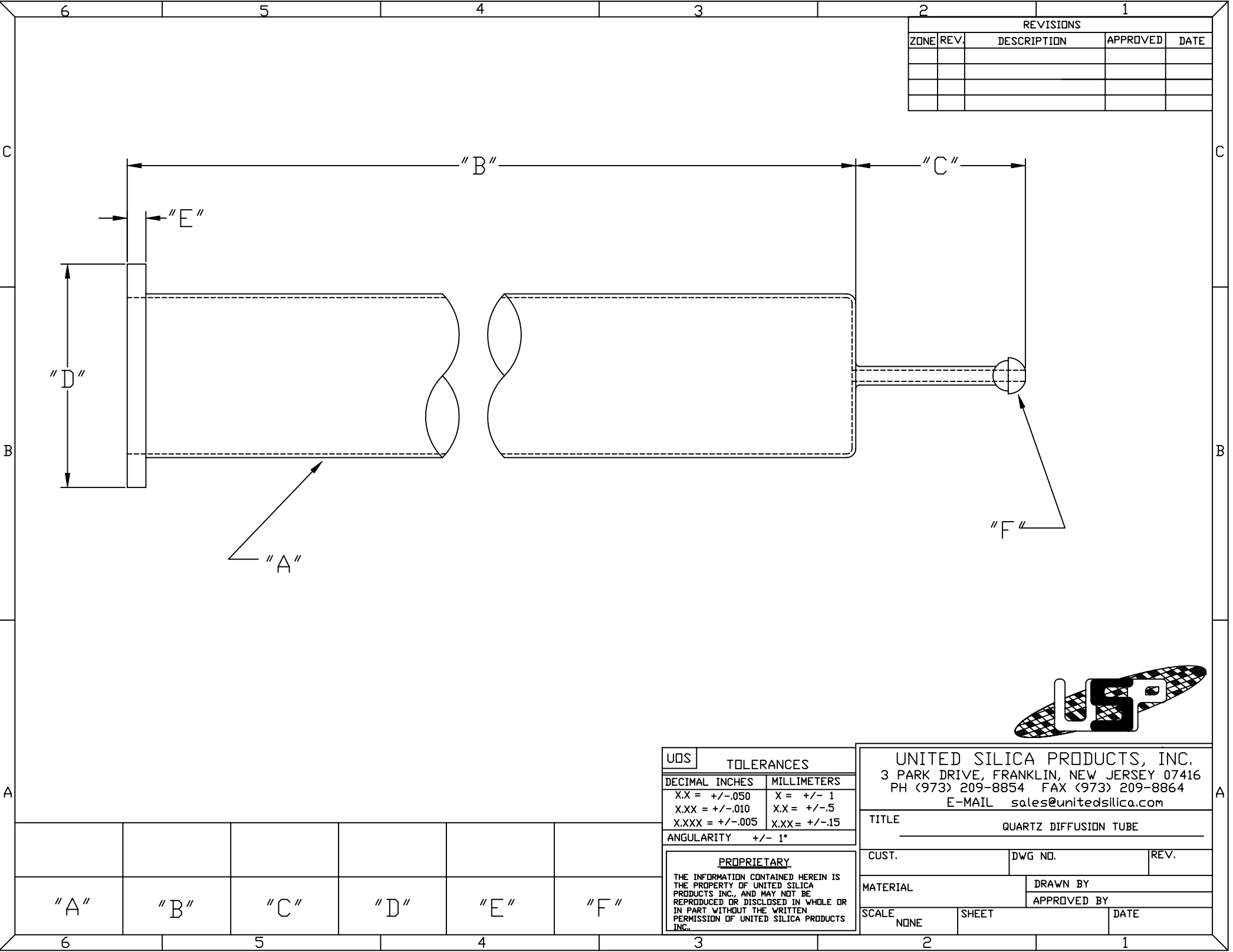
TOLERANCES	
DECIMAL INCHES	MILLIMETERS
X.X = +/- .050	X = +/- .1
X.XX = +/- .010	X.X = +/- .5
X.XXX = +/- .005	X.XX = +/- .15
ANGULARITY +/- 1°	

UNITED SILICA PRODUCTS, INC.
 3 PARK DRIVE, FRANKLIN, NEW JERSEY 07416
 PH (973) 209-8854 FAX (973) 209-8864
 E-MAIL sales@unitedsilica.com

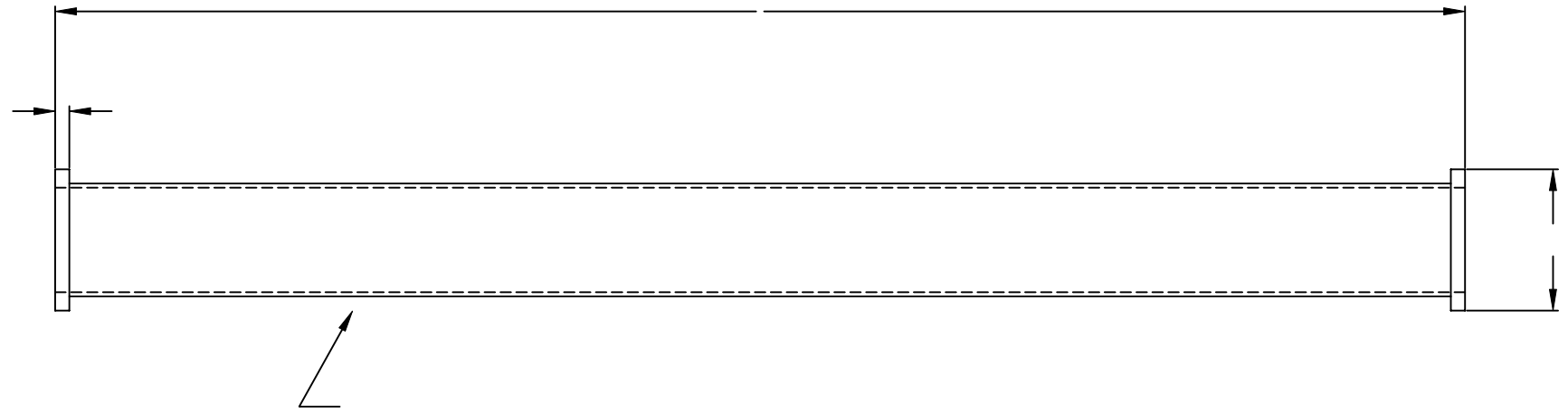
TITLE QUARTZ DIFFUSION TUBE		
CUST.	DWG NO.	REV.
MATERIAL	DRAWN BY	
SCALE NONE	APPROVED BY	
SHEET	DATE	

PROPRIETARY
 THE INFORMATION CONTAINED HEREIN IS THE PROPERTY OF UNITED SILICA PRODUCTS INC., AND MAY NOT BE REPRODUCED OR DISCLOSED IN WHOLE OR IN PART WITHOUT THE WRITTEN PERMISSION OF UNITED SILICA PRODUCTS INC.

"A"	"B"	"C"	"D"	"E"	"F"
-----	-----	-----	-----	-----	-----



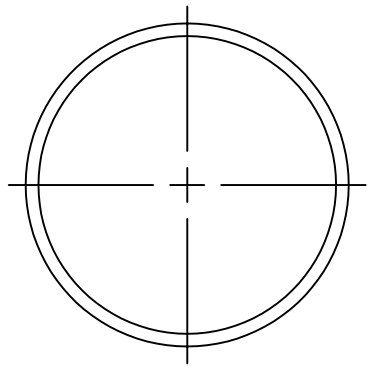
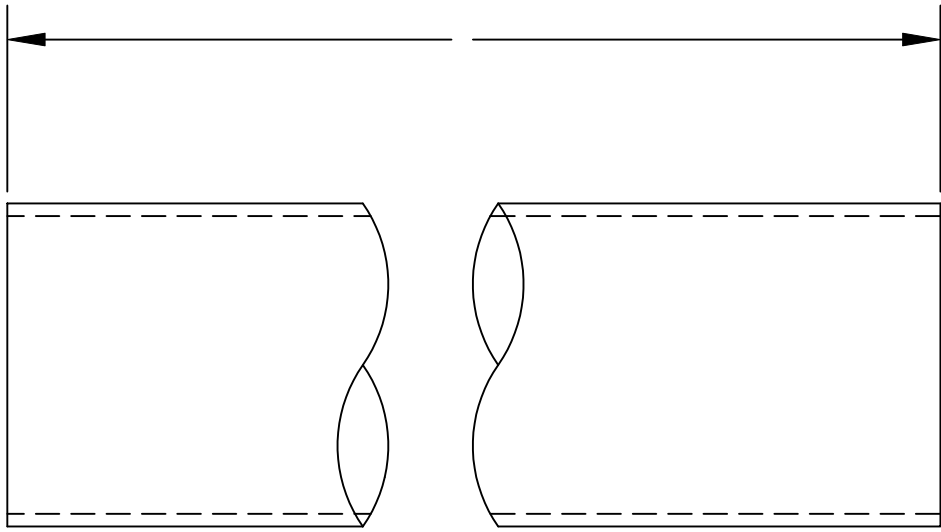
REVISIONS				
ZONE	REV.	DESCRIPTION	APPROVED	DATE



UNLESS NOTED BREAK ALL EDGES 0.010 MINIMUM	UOS TOLERANCES	
	DECIMAL INCHES	MILLIMETERS
PROPRIETARY THE INFORMATION CONTAINED HEREIN IS THE PROPERTY OF UNITED SILICA PRODUCTS INC., AND MAY NOT BE REPRODUCED OR DISCLOSED IN WHOLE OR IN PART WITHOUT THE WRITTEN PERMISSION OF UNITED SILICA PRODUCTS INC.	X.X = +/-0.1	X = +/- 1
	X.XX = +/-0.02	X.X = +/-0.5
	X.XXX = +/-0.010	X.XX = +/-0.25
ANGULARITY	+/- 1°	
FRACTIONS	+/- 1/8"	
FILE NAME TITLE.DWG REV.1	QTZ. TUBE PER GE STD. TOL.	

UNITED SILICA PRODUCTS, INC. 3 PARK DRIVE, FRANKLIN, NEW JERSEY 07416 PH (973) 209-8854 FAX (973) 209-8864 E-MAIL quartzsales@unitedsilica.com		
TITLE DOUBLE FLANGE TUBE		
CUST.	DWG NO.	REV.
MATERIAL	DRAWN BY RMK	
SCALE NONE	APPROVED BY JB	
SHEET	DATE	

REVISIONS				
ZONE	REV.	DESCRIPTION	APPROVED	DATE



TUBE <ID/OD>

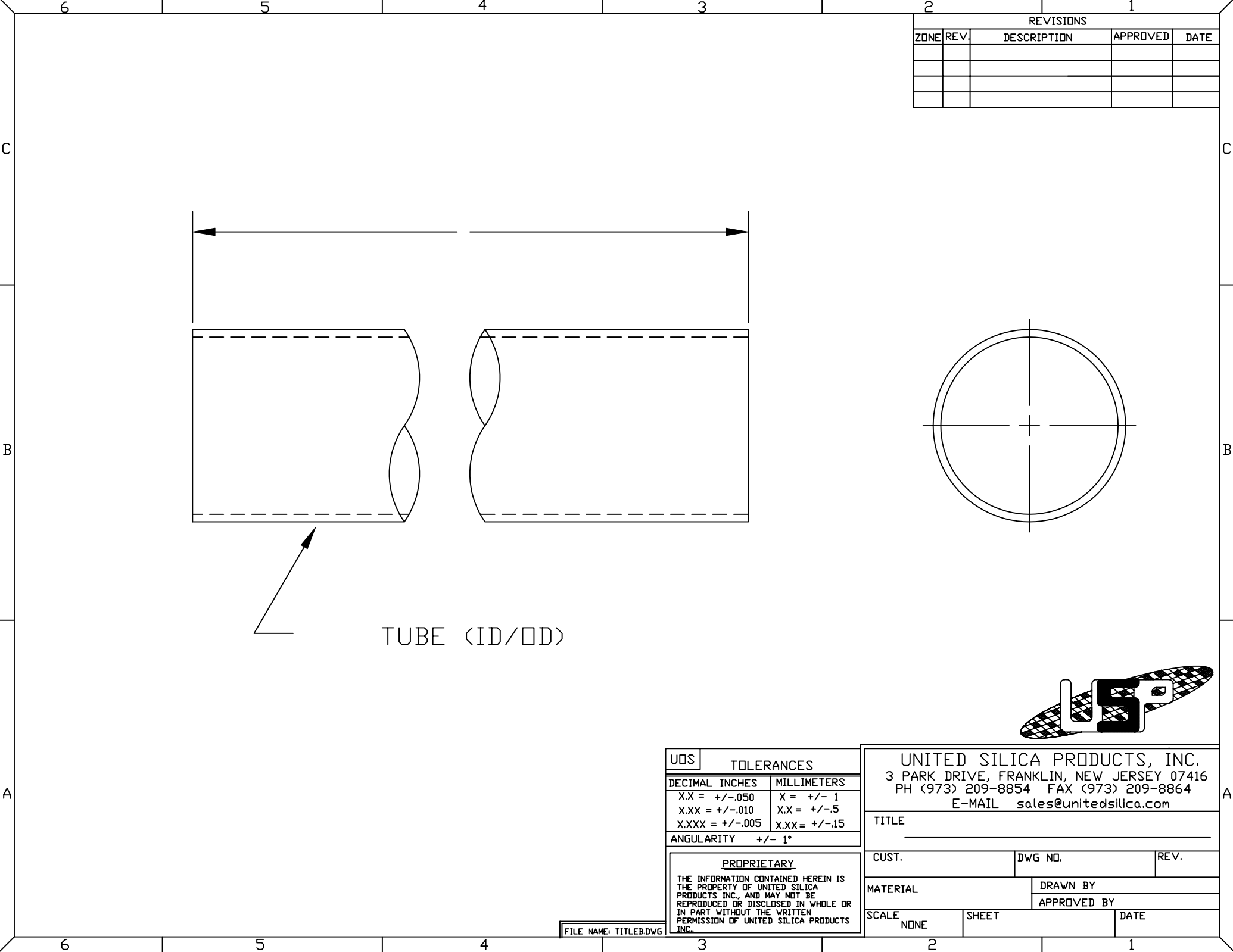


TOLERANCES	
DECIMAL INCHES	MILLIMETERS
X.X = +/- .050	X = +/- 1
X.XX = +/- .010	X.X = +/- .5
X.XXX = +/- .005	X.XX = +/- .15
ANGULARITY +/- 1°	

PROPRIETARY
 THE INFORMATION CONTAINED HEREIN IS THE PROPERTY OF UNITED SILICA PRODUCTS INC., AND MAY NOT BE REPRODUCED OR DISCLOSED IN WHOLE OR IN PART WITHOUT THE WRITTEN PERMISSION OF UNITED SILICA PRODUCTS INC.

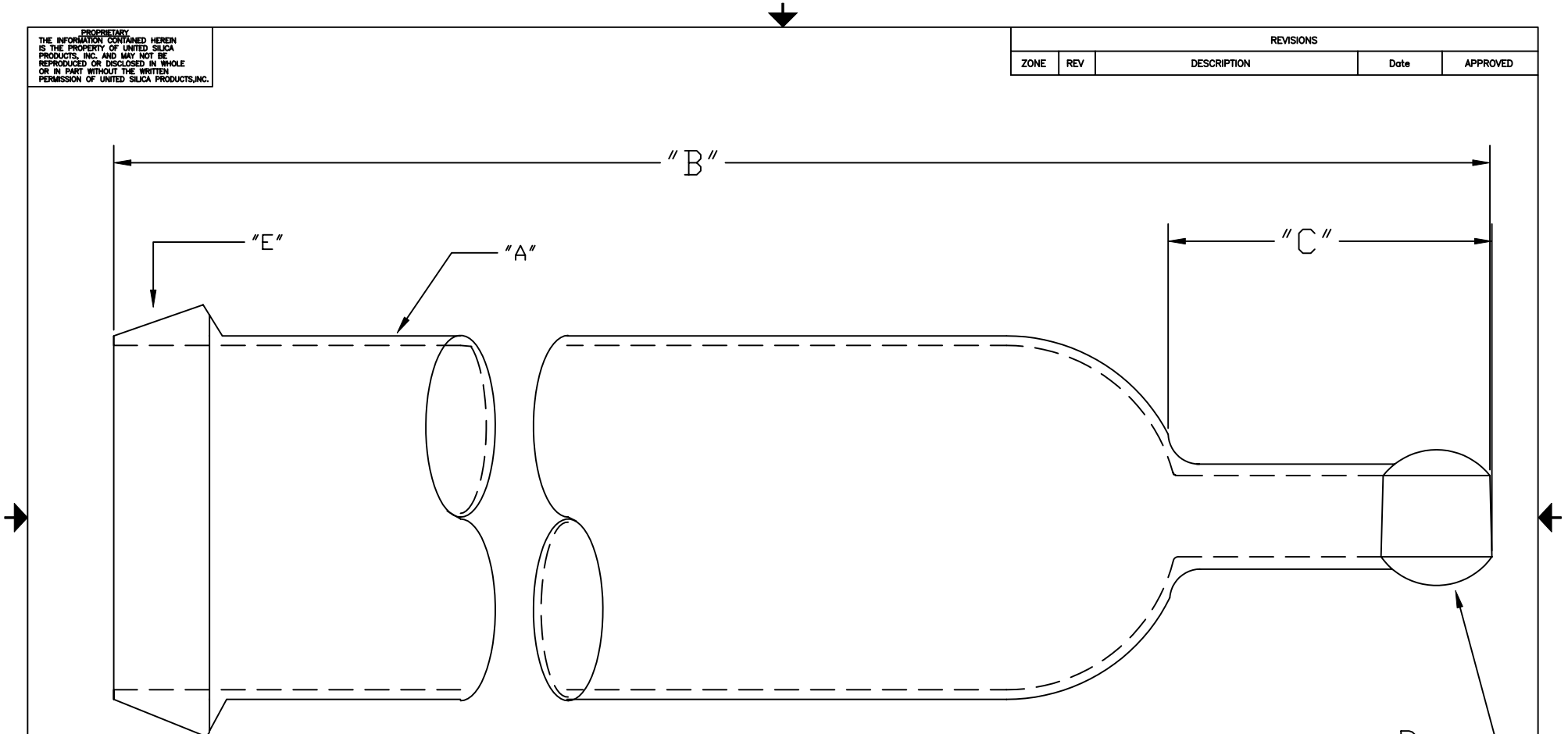
FILE NAME: TITLE.DWG

UNITED SILICA PRODUCTS, INC. 3 PARK DRIVE, FRANKLIN, NEW JERSEY 07416 PH (973) 209-8854 FAX (973) 209-8864 E-MAIL sales@unitedsilica.com		
TITLE _____		
CUST. _____	DWG NO. _____	REV. _____
MATERIAL _____		DRAWN BY _____
SCALE NONE		APPROVED BY _____
SHEET _____	DATE _____	



PROPRIETARY
 THE INFORMATION CONTAINED HEREIN
 IS THE PROPERTY OF UNITED SILICA
 PRODUCTS, INC. AND MAY NOT BE
 REPRODUCED OR DISCLOSED IN WHOLE
 OR IN PART WITHOUT THE WRITTEN
 PERMISSION OF UNITED SILICA PRODUCTS, INC.

REVISIONS				
ZONE	REV	DESCRIPTION	Date	APPROVED



DIFFUSION TUBE WITH TAPER JOINT

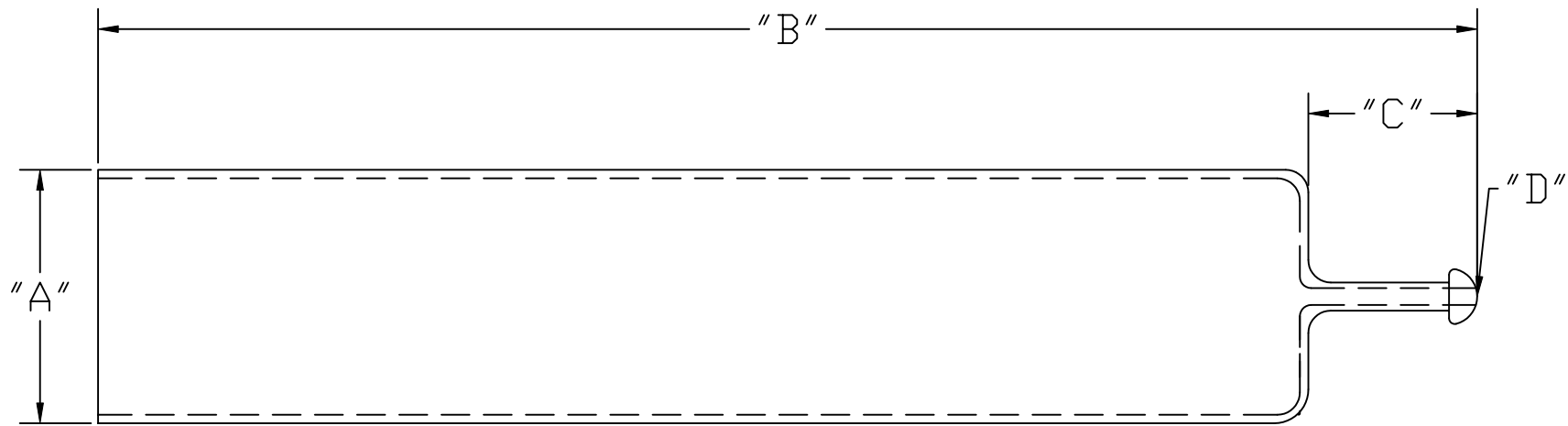
MATERIAL: CLEAR FUSED QUARTZ, SEMICONDUCTOR QUALITY

"A"	"B"	"C"	"D"	"E"
I.D. X O.D.				

UNITED SILICA PRODUCTS, INC
 3 PARK DRIVE, FRANKLIN NEW JERSEY 07416
 PH (973) 209-8854 FAX (973) 209-8864
 E-MAIL sales@unitedsilica.com

	SIZE	FSCM NO.	DWG NO.	REV
	Scale NONE			
			Sheet	

REVISIONS				
ZONE	REV	DESCRIPTION	Date	APPROVED



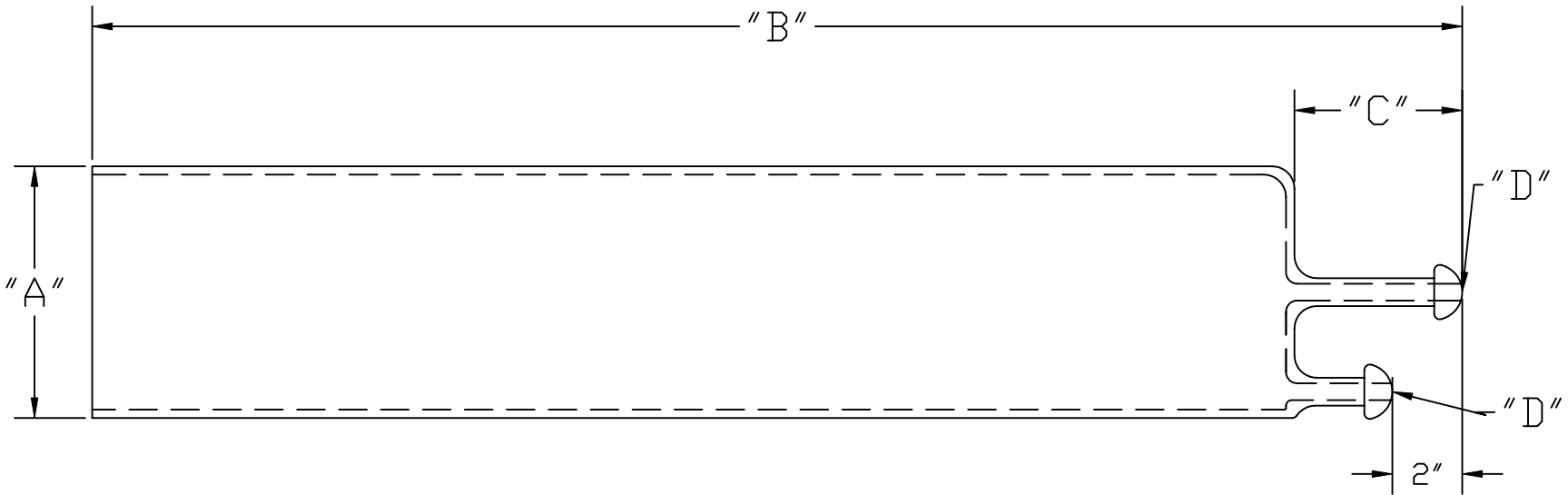
STANDARD DIFFUSION TUBE

CLEAR FUSED QUARTZ, SEMICONDUCTOR QUALITY

"A"	"B"	"C"	"D"	"E"	"F"	"G"
I.D.XO.D.						

ALL DIMENTIONS +/- .250"		UNITED SILICA PRODUCTS, INC. 3 PARK DRIVE, FRANKLIN, NEW JERSEY 07416 PH (973) 209-8854 FAX (973) 209-8864 E-MAIL sales@unitedsilica.com		
SIZE	FSCM NO.	DWG NO.	REV	
Scale NONE		Sheet 1 OF 1		

REVISIONS				
ZONE	REV	DESCRIPTION	Date	APPROVED



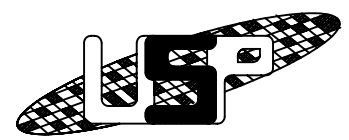
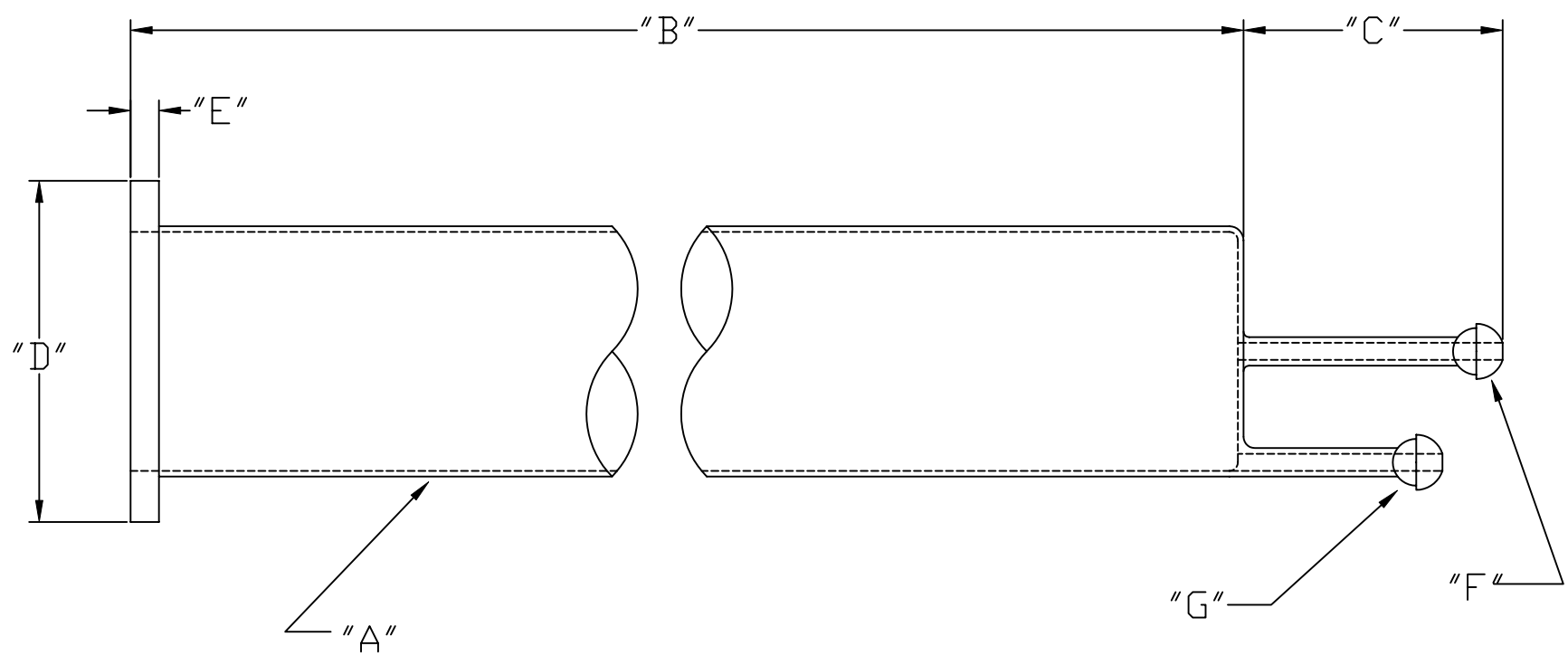
STANDARD DIFFUSION TUBE

CLEAR FUSED QUARTZ, SEMICONDUCTOR QUALITY

"A"	"B"	"C"	"D"	"E"	"F"	"G"
I.D.X.O.D.						

ALL DIMENTIONS +/- .250"		UNITED SILICA PRODUCTS, INC. 3 PARK DRIVE, FRANKLIN, NEW JERSEY 07416 PH (973) 209-8854 FAX (973) 209-8864 E-MAIL sales@unitedsilica.com		
SIZE	FSCM NO.	DWG NO.	REV	
Scale	NONE	Sheet 1		OF 1

REVISIONS				
ZONE	REV.	DESCRIPTION	APPROVED	DATE

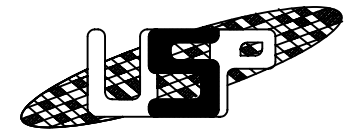
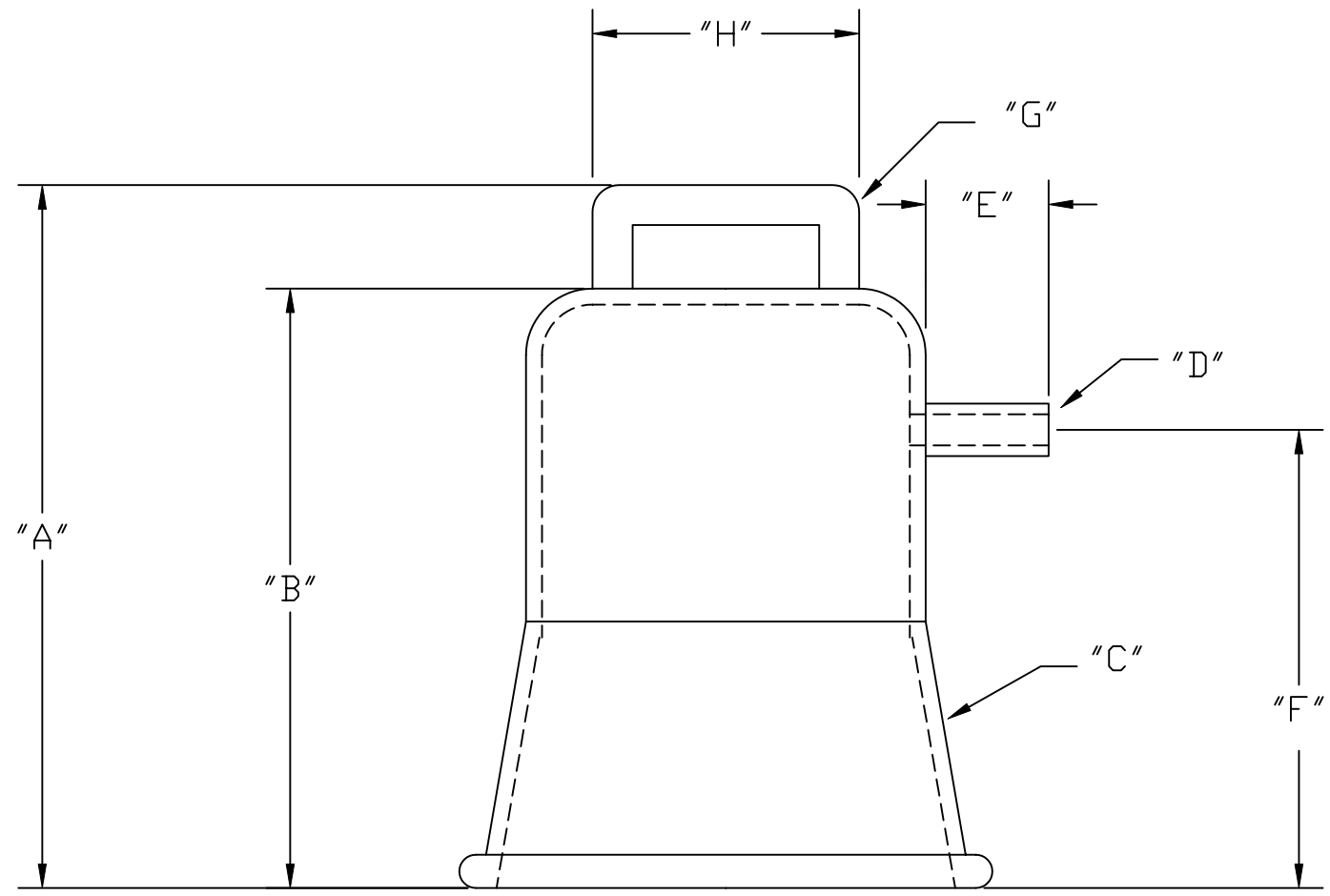


TOLERANCES	
DECIMAL INCHES	MILLIMETERS
X.X = +/- .050	X = +/- .1
X.XX = +/- .010	X.X = +/- .5
X.XXX = +/- .005	X.XX = +/- .15
ANGULARITY +/- 1°	
PROPRIETARY	
<small>THE INFORMATION CONTAINED HEREIN IS THE PROPERTY OF UNITED SILICA PRODUCTS INC., AND MAY NOT BE REPRODUCED OR DISCLOSED IN WHOLE OR IN PART WITHOUT THE WRITTEN PERMISSION OF UNITED SILICA PRODUCTS INC.</small>	

UNITED SILICA PRODUCTS, INC. 3 PARK DRIVE, FRANKLIN, NEW JERSEY 07416 PH (973) 209-8854 FAX (973) 209-8864 E-MAIL sales@unitedsilica.com		
TITLE <u>2 PORT DIFFUSION TUBE</u>		
CUST.	DWG NO.	REV.
MATERIAL		DRAWN BY
SCALE NONE		APPROVED BY
SHEET	DATE	

"A"	"B"	"C"	"D"	"E"	"F"	"G"

REVISIONS			
ZONE	REV.	DESCRIPTION	APPROVED DATE



TOLERANCES	
DECIMAL INCHES	MILLIMETERS
X.X = +/- .050	X = +/- 1
X.XX = +/- .010	X.X = +/- .5
X.XXX = +/- .005	X.XXX = +/- .15
ANGULARITY +/- 1°	

UNITED SILICA PRODUCTS, INC.
 3 PARK DRIVE, FRANKLIN, NEW JERSEY 07416
 PH (973) 209-8854 FAX (973) 209-8864
 E-MAIL sales@unitedsilica.com

TITLE END CAP

CUST. _____ DWG NO. _____ REV. _____

MATERIAL _____ DRAWN BY _____
 APPROVED BY _____

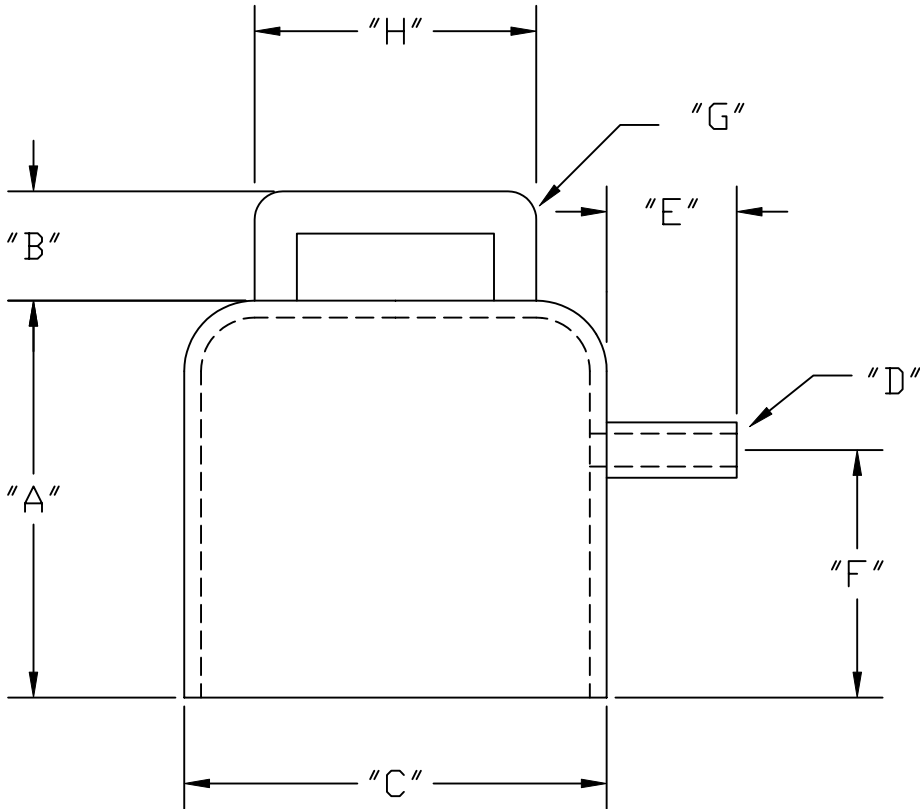
SCALE NONE SHEET _____ DATE _____

PROPRIETARY
 THE INFORMATION CONTAINED HEREIN IS THE PROPERTY OF UNITED SILICA PRODUCTS INC. AND MAY NOT BE REPRODUCED OR DISCLOSED IN WHOLE OR IN PART WITHOUT THE WRITTEN PERMISSION OF UNITED SILICA PRODUCTS INC.

"A" "B" "C" "D" "E" "F" "G" "H"

6 5 4 3 2 1

REVISIONS			
ZONE	REV.	DESCRIPTION	APPROVED DATE



TOLERANCES	
DECIMAL INCHES	MILLIMETERS
X.X = +/- .050	X = +/- 1
X.XX = +/- .010	X.X = +/- .5
X.XXX = +/- .005	X.XX = +/- .15
ANGULARITY +/- 1°	
PROPRIETARY	
THE INFORMATION CONTAINED HEREIN IS THE PROPERTY OF UNITED SILICA PRODUCTS INC., AND MAY NOT BE REPRODUCED OR DISCLOSED IN WHOLE OR IN PART WITHOUT THE WRITTEN PERMISSION OF UNITED SILICA PRODUCTS INC.	

UNITED SILICA PRODUCTS, INC. 3 PARK DRIVE, FRANKLIN, NEW JERSEY 07416 PH (973) 209-8854 FAX (973) 209-8864 E-MAIL sales@unitedsilica.com		
TITLE END CAP - NO JOINT		
CUST.	DWG NO.	REV.
MATERIAL		DRAWN BY
		APPROVED BY
SCALE NONE	SHEET	DATE

"A"	"B"	"C"	"D"	"E"	"F"	"G"	"H"
-----	-----	-----	-----	-----	-----	-----	-----